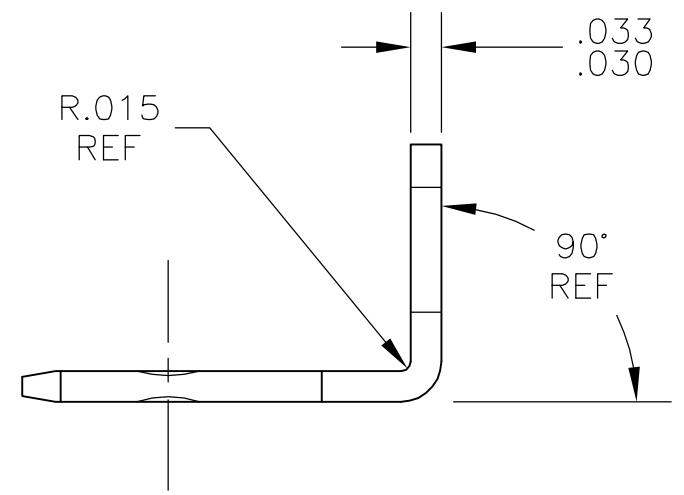
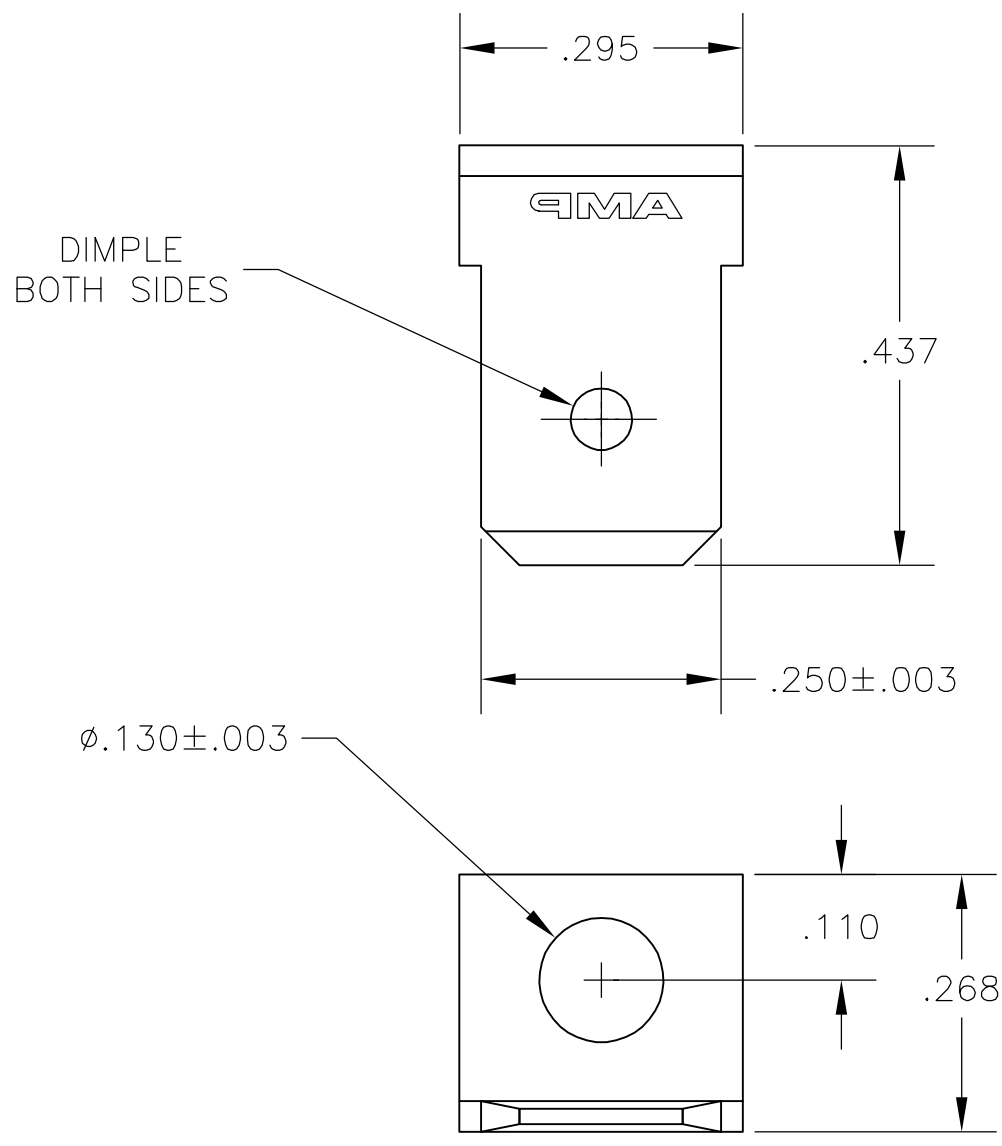


THIS DRAWING IS UNPUBLISHED. RELEASED FOR PUBLICATION  
 © COPYRIGHT BY TYCO ELECTRONICS CORPORATION. ALL RIGHTS RESERVED.

| LOC | DIST | REVISIONS |     |                       |         |     |      |
|-----|------|-----------|-----|-----------------------|---------|-----|------|
| AF  | 50   | P         | LTR | DESCRIPTION           | DATE    | DWN | APVD |
|     |      |           | F   | REV PER ECR-05-017287 | 06APR06 | HMR | JR   |



|          |        |         |
|----------|--------|---------|
| obsolete | TIN    | 42117-2 |
|          | NONE   | 42117-1 |
|          | FINISH | PART NO |

|  |  |                              |   |                    |
|--|--|------------------------------|---|--------------------|
| THIS DRAWING IS A CONTROLLED DOCUMENT.   |  | DWN<br>jr_ruth<br>26JUL04    | Tyco Electronics Corporation<br>Harrisburg, PA 17105-3608 |                    |
| DIMENSIONS:<br>INCHES  |  | CHK<br>KRISTY YI<br>26JUL04  |   |                    |
|  |  | APVD<br>KRISTY YI<br>26JUL04 | NAME<br>TAB, FASTON,<br>.250 SERIES                       |                    |
| TOLERANCES UNLESS OTHERWISE SPECIFIED:   |  | PRODUCT SPEC                 | RESTRICTED TO   |                    |
| 0 PLC ± -<br>1 PLC ± -<br>2 PLC ± -<br>3 PLC ± .015<br>4 PLC ± -<br>ANGLES ± - |  | APPLICATION SPEC             | SIZE<br>A3  | CAGE CODE<br>00779 |
| MATERIAL<br>082 BRASS  |  | WEIGHT<br>-                  | DRAWING NO<br>C-42117                                     | SCALE<br>5:1       |
| FINISH<br>SEE TABLE  |  | CUSTOMER DRAWING             |   | SHEET<br>1 OF 1    |
|  |  |                              |   | REV<br>F           |